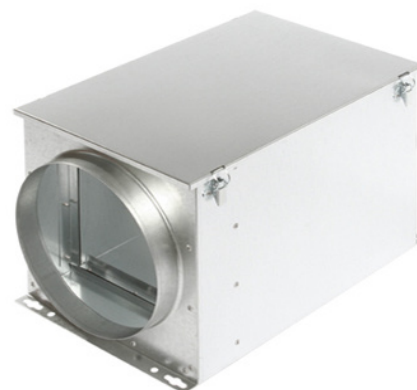
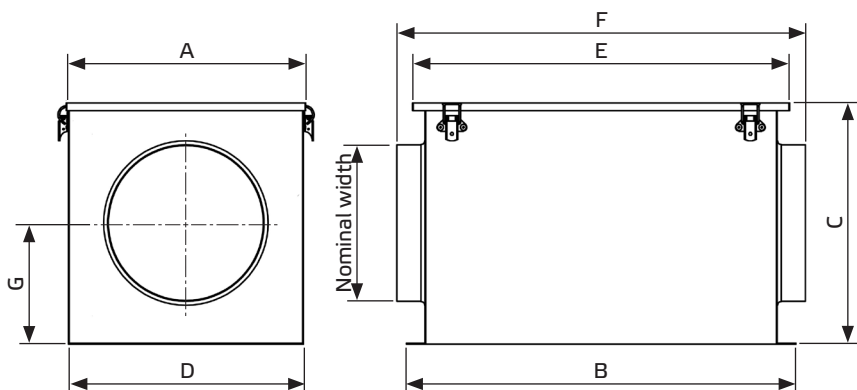


Filter Box FT

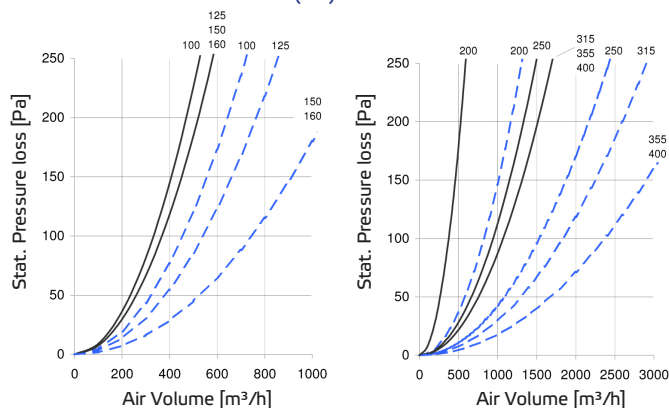


Type	ID	Nominal width mm	Filter Größe	A mm	B mm	C mm	D mm	E mm	F mm	G mm	Weight kg
FT 100	112844	100	1	306	500	308	300	460	502	155	5,5
FT 125	112843	125	1	306	500	308	300	460	510	155	5,6
FT 150	112842	150	1	306	500	308	300	460	520	155	5,8
FT 160	112841	160	1	306	500	308	300	460	530	155	5,6
FT 200	112840	200	1	306	500	308	300	460	530	155	5,5
FT 250	112845	250	1	306	500	308	300	460	530	155	5,3
FT 315	112846	315	2	506	500	508	500	460	530	255	11,6
FT 355	112847	355	2	506	500	508	500	460	530	255	10,0
FT 400	112848	400	2	506	500	508	500	460	530	255	9,7

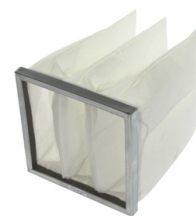
- Filter Box for Bag Filter
- Galvanized sheet steel housing
- Toggle-type fastener
- Without filter

Pressure loss test with filter ISO Coarse 70% (M5) and ISO ePM2.5 60% (F7)

--- Filter ISO Coarse 70% (M5) — Filter ISO ePM2.5 60% (F7)



Recommended maximum pressure loss according to filter manufacturer: 250 Pa



Bag Filter
Max. ambient temp 80 °C
1 pc

Replacement Filter		
Size	ID	Filtration class
1	102939	ISO Coarse 70% (M5)
1	102945	ISO ePM2.5 60% (F7)
2	102941	ISO Coarse 70% (M5)
2	102947	ISO ePM2.5 60% F7